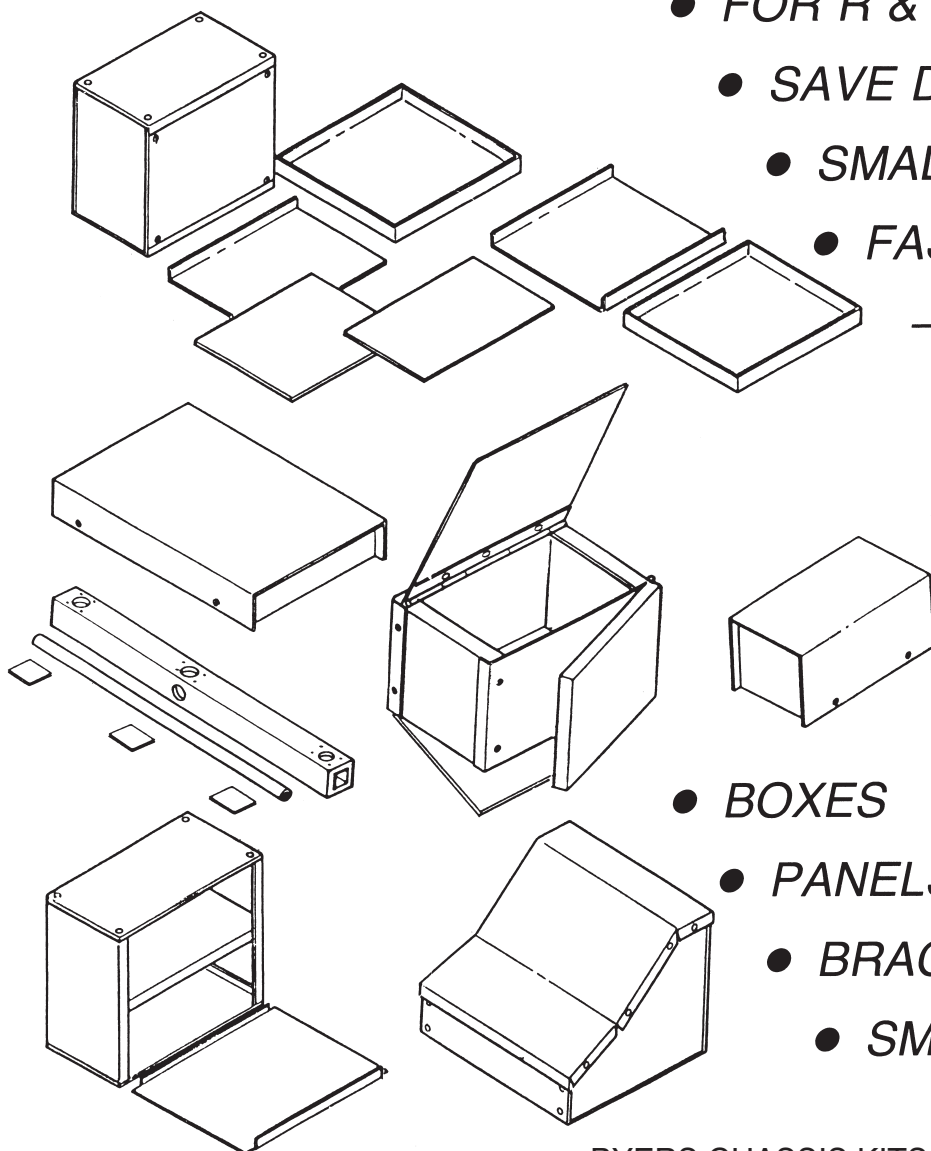


# CHASSIS KITS & CUSTOM ENCLOSURES

- FOR R & D - O.E.M. - HOBBYIST
  - SAVE DOLLARS
  - SMALL QUANTITIES
  - FAST DELIVERY
- NO SET UP CHARGE—



ALUMINUM  
OR  
BRASS

- BOXES
- PANELS
- BRACKETS
- SMALL SHEETS

BYERS CHASSIS KITS  
CHARLES BYERS K3IWK  
5120 HARMONY GROVE ROAD  
DOVER, PA 17315

PHONE/FAX (717) 292-4901 (PHONE BETWEEN 6:00 - 9:30 P.M. EST---FAX 24 HRS.)

ESTABLISHED 1982

[www.flash.net/~K3IWK](http://www.flash.net/~K3IWK)

(8:00A.M. TO 4:00P.M. SAT.)

VHF and VHF antennas available on website  
email-k3iwk@flash.net FOR QUOTES & CATALOG REQUESTS