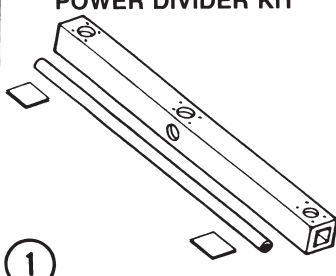
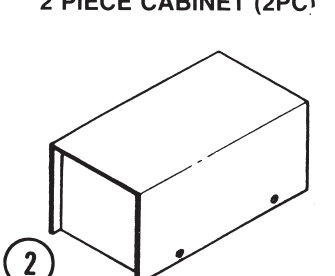
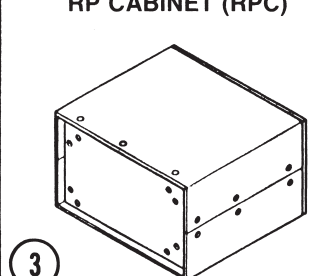

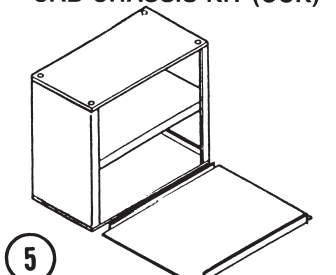
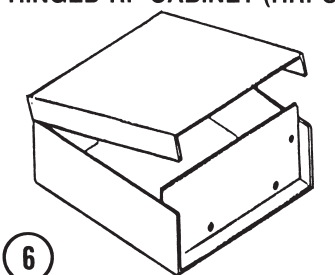
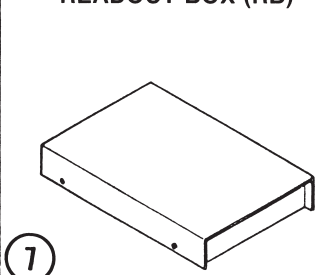
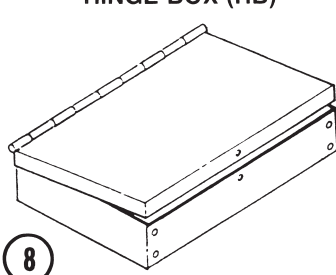
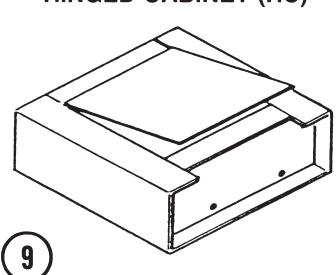
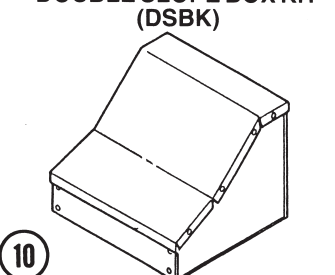
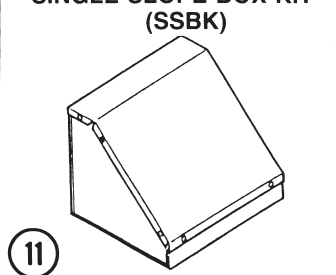
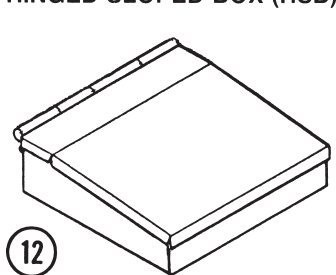
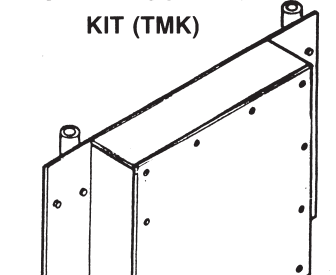
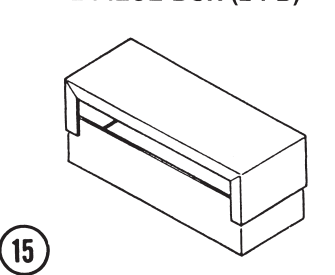
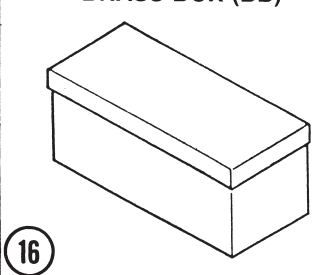
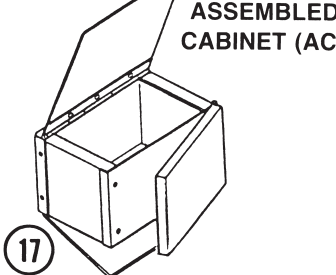

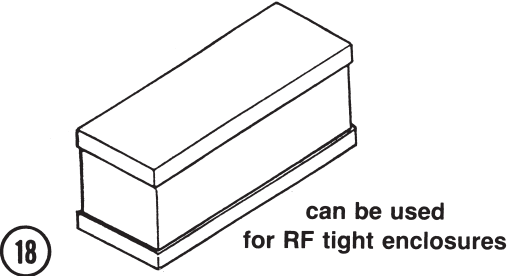
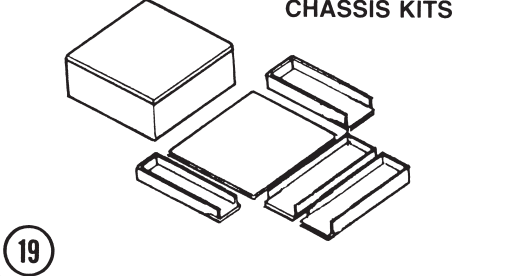
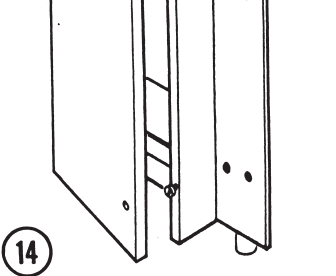
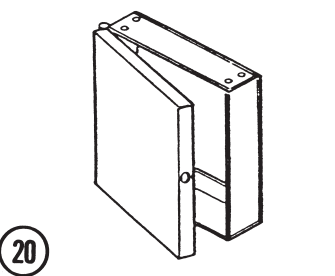
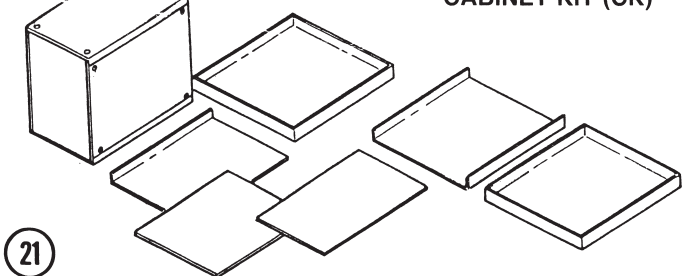


<p>POWER DIVIDER KIT</p>  <p>1</p>	<p>2 PIECE CABINET (2PC)</p>  <p>2</p>	<p>RP CABINET (RPC)</p>  <p>3</p>	<p>ALUMINUM TOP HAT</p>  <p>4</p>
<p>CAB CHASSIS KIT (CCK)</p>  <p>5</p>	<p>HINGED RP CABINET (HRPC)</p>  <p>6</p>	<p>READOUT BOX (RB)</p>  <p>7</p>	<p>HINGE BOX (HB)</p>  <p>8</p>
<p>HINGED CABINET (HC)</p>  <p>9</p>	<p>DOUBLE SLOPE BOX KIT (DSBK)</p>  <p>10</p>	<p>SINGLE SLOPE BOX KIT (SSBK)</p>  <p>11</p>	<p>HINGED SLOPED BOX (HSB)</p>  <p>12</p>
<p>TOWER MOUNTING KIT (TMK)</p>  <p>13</p>	<p>2 PIECE BOX (2 PB)</p>  <p>15</p>	<p>BRASS BOX (BB)</p>  <p>16</p>	<p>ASSEMBLED CABINET (AC)</p>  <p>17</p>
<p>HINGED TOWER MOUNT KIT (HTMK)</p>  <p>14</p>	<p>DOUBLE COVERED BOX (DCB)</p>  <p>18</p> <p>can be used for RF tight enclosures</p>		<p>CHASSIS KITS</p>  <p>19</p>
<p>HINGED TOWER MOUNT KIT (HTMK)</p>  <p>14</p>	<p>WALL MOUNTED BOX (WMB)</p>  <p>20</p>	<p>CABINET KIT (CK)</p>  <p>21</p>	