

**30 WALL MOUNTED BOX W/PANEL**

H	W	D	Price
** 8	X 10	X 4	= \$ 40.25
** 8	X 12	X 4	= \$ 46.00
** 10	X 10	X 6	= \$ 50.50
** 10	X 12	X 6	= \$ 56.50

**31 TOP LID CABINET**

H	W	D	Price
** TLC- 3	X 3	X 6	= \$30.25
** TLC- 3	X 5	X 8	= \$37.75
** TLC- 4	X 4	X 6	= \$37.50
** TLC- 4	X 6	X 8	= \$40.00
** TLC- 4	X 8	X 8	= \$47.50
** TLC- 4	X 6	X 10	= \$51.00
** TLC- 4	X 8	X 10	= \$53.50
** TLC- 5	X 8	X 10	= \$58.75

**32 KEY LOCK CABINET (KLC)**

H	W	D	Price
** KLC- 8	X 8	X 3	= \$56.00
** KLC- 8	X 12	X 3	= \$63.25
** KLC- 10	X 12	X 3	= \$66.50
** KLC- 10	X 10	X 9	= \$70.00
***KLC- 10	X 15	X 8	= \$83.25

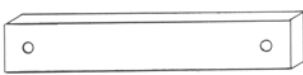
**33 FOLD-OVER TOWER STAND KIT**  
 6' Long  
 \$104.00

**2 FT. EXTENSION KIT**  
 \$45.00


**AMP CABINET KITS**

W6PO-8877 2 METER AMP	= \$ 141.00
KIFO-(1) 3CX800A7 432 AMP	= \$ 170.85
KIFO-PARALLEL 3CX800A7 432 AMP	= \$ 249.90
KIFO-8938 1500 WATT 432 AMP	= \$ 245.70

**34 TOWER STEPS**



A - 1/2" X 2" ALUMINUM BAR \$1.25 per inch



B - 1 1/2" x 2" ALUMINUM ANGLE \$1.20 per inch

2-1/4 - 20 X 1 1/2" STAINLESS STEEL BOLT AND LOCK WASHER AND NUT \$2.50

TO MEASURE LENGTH OF STEPS, MEASURE OUTSIDE TO OUTSIDE OF TOWER LEGS

EMAIL FOR SHIPPING CHARGES